

Facade awnings from Griesser. Solozip



min. 800 mm
max. 6000 mm

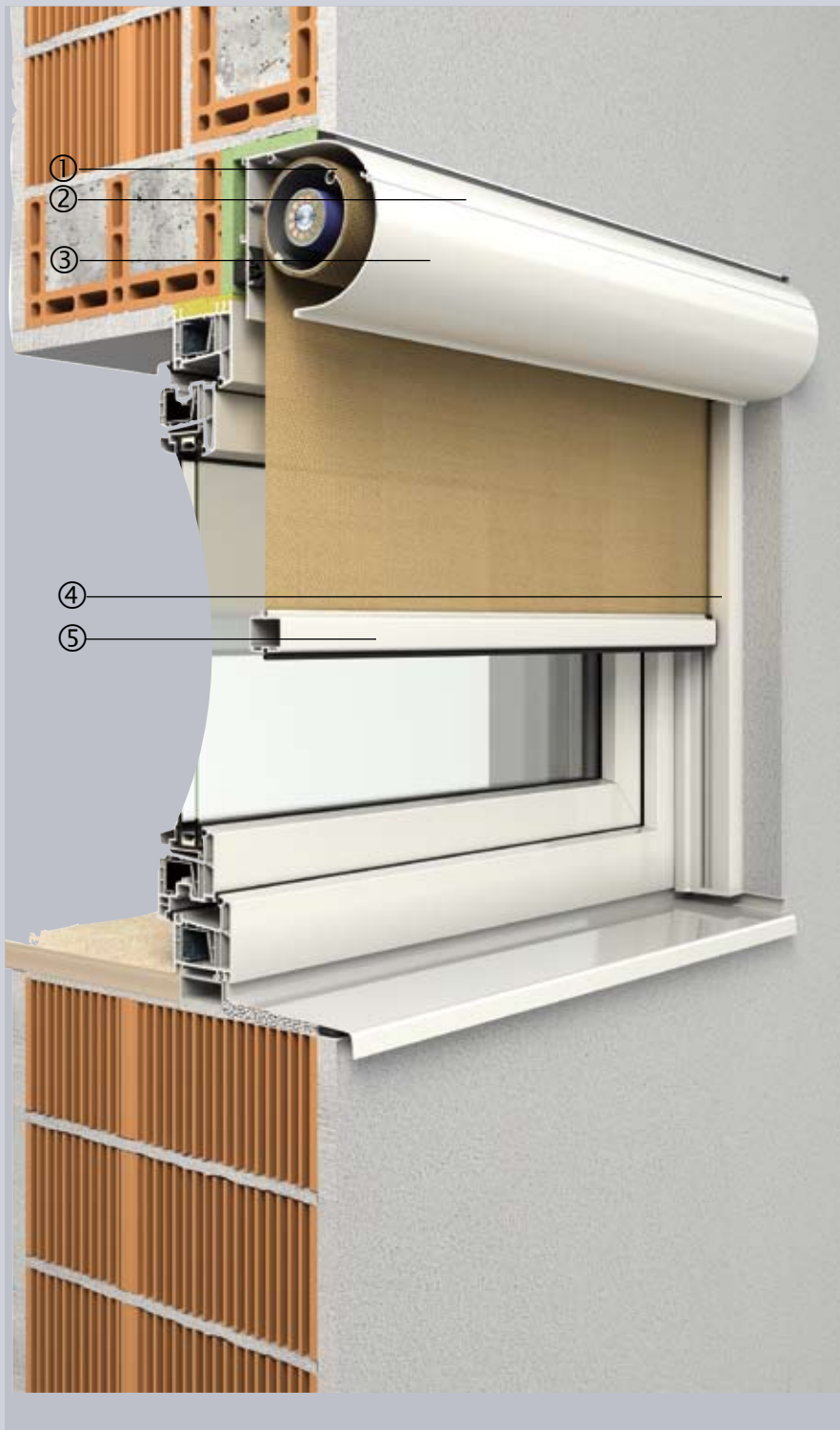


min. 800 mm
max. 6000 mm



max. ≤ 18m²

Solozip

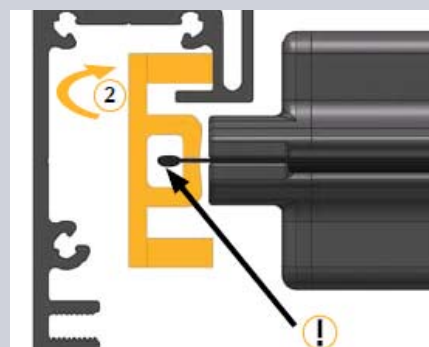


- 1 Fabric spindle
- 2 Box (cover)
- 3 Service cover

- 4 Guide rails
- 5 Drop slat



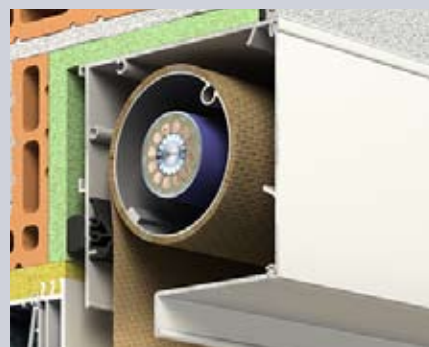
The screen is guided laterally over the total height and is therefore also resistant to strong winds. The fabric is permanently tensioned.



Zipper technology, the fabric is guided laterally in a controlled manner.



Semi-circular box in 3 sizes with service cover.

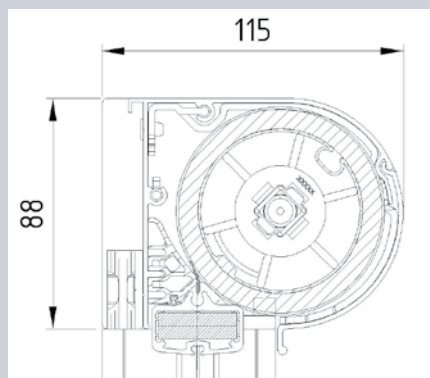


Square box in 3 sizes with service cover.

Solozip Box

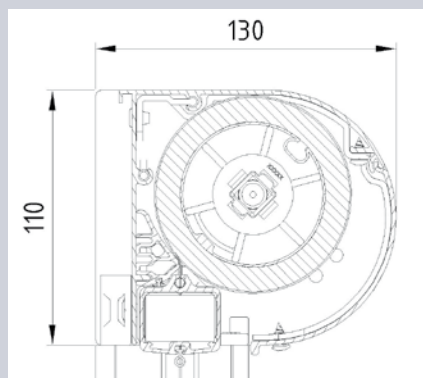
Limit dimensions						
Type	Version	Guide type	Operation	max. width	max. height	max. surface area
Solozip Box	Box 85	Guide rail	Motor	3000	2200	6.6 m ²
	Box 110	Guide rail	Motor	4000	3000	12 m ²
	Box 130	Guide rail	Motor	6000	6000	18 m ²

Semi-circular box 85



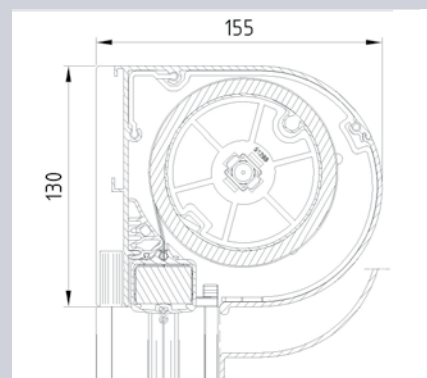
3000 x 2200 mm

Semi-circular box 110



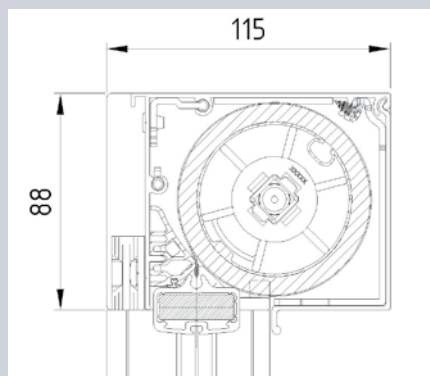
4000 x 3000 mm

Semi-circular box 130



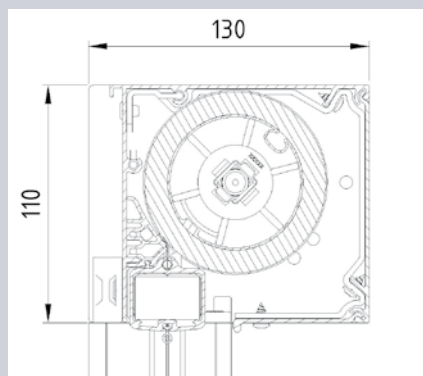
3000 x 6000 mm
6000 x 3000 mm

Square box 85



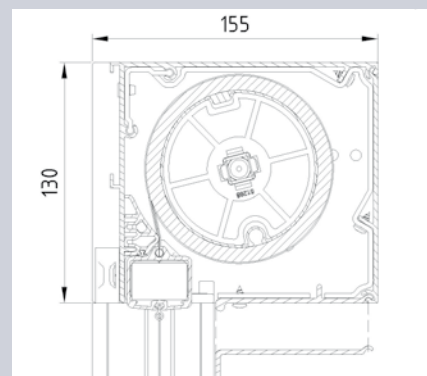
3000 x 2200 mm

Square box 110



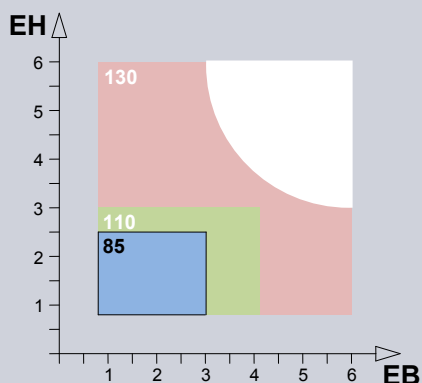
4000 x 3000 mm

Square box 130

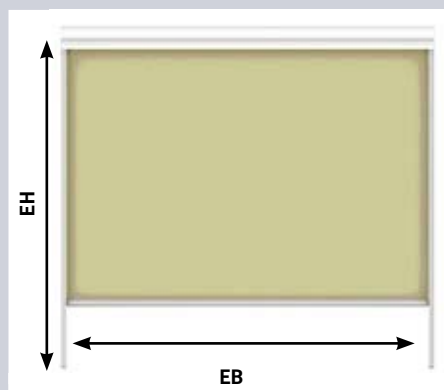


3000 x 6000 mm
6000 x 3000 mm

Limit dimensions

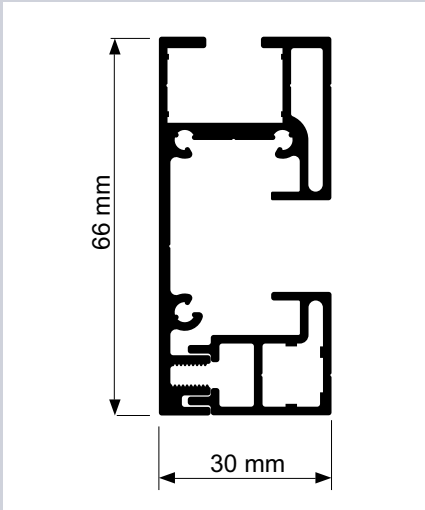


Installation dimensions

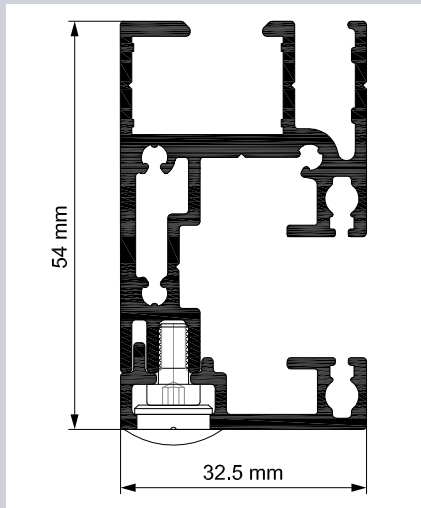


EH = element height = total height
EB = element width = width of construction

Solozip guide rails

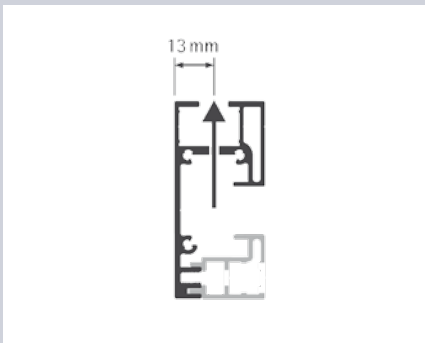


Guide rail without cable channel 66 x 30 mm

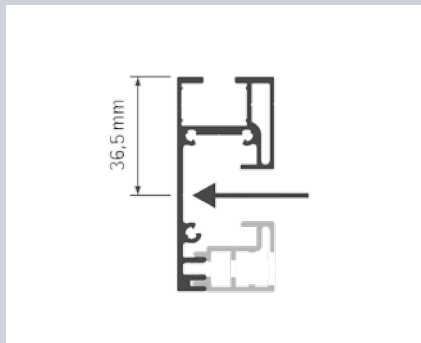


Guide rail with integrated drop slat

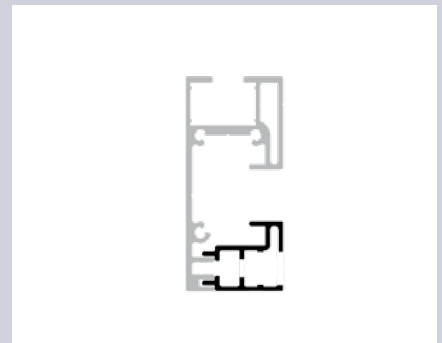
Solozip installation variants



Reduced rail

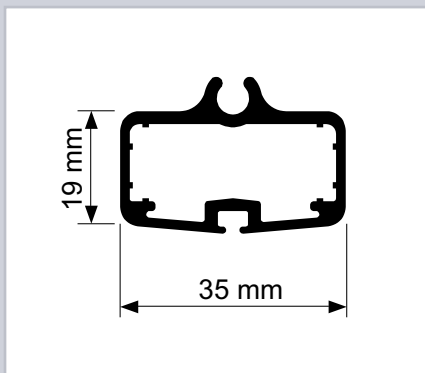


Header

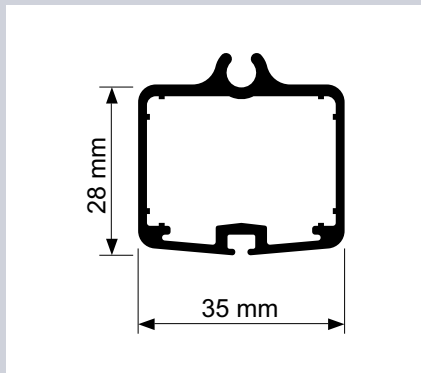


Slip-on profile

Solozip drop slat



Drop slat for box version 85



Drop slat for box versions 110 and 130

A versatile world of materials

Soltis gauzes

The Soltis Collection is available in a wide range of colors. The latticed fabric lends the shaded room a natural brightness and provides the necessary solar shading. The Soltis Black out Collection is impermeable to light.

Standard collection with indoor materials

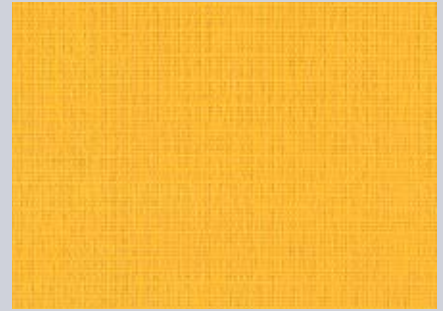
Soltis Black out B92

Optional with outdoor materials

Soltis 86, Soltis 92, Soltis 93



SOLTIS[®]



Soltis Collection



Design description

Fabric spindle

85 mm round steel spindle with beading channel for 130 box and 63 mm version for 110 and 85 box sizes. Spring-loaded axle cap with quality ball bearing for fast assembly.

Solozip Box

Made from high-quality powder-coated extruded aluminum, square and semi-circular, in box size 130 mm/110 mm/85 mm. With insect screen version on over the total element height on request.

Guide rails

The visible aluminum parts are powder-coated in virtually all colors. This surface finish is particularly robust and extremely color-stable.

Drop profile

Made from powder-coated extruded aluminum and provided with steel reinforcement of at least 4.5 kg/m.

35 x 19 mm for 85 box

35 x 29 mm for 110 and 130 box sizes

Colors

Standard

The visible aluminum parts are powder-coated in virtually all colors. This surface finish is particularly robust and extremely color-stable.

Fabric collections

Soltis Collection (86/92/93/Black out B-92)

Gauze fabric made from highly tear-resistant polyester, according to collection available.

Other material collections on request.

Manufacturing

Depending on the manufacturing, the fabric is available with cross-seams.

Planning tips and operating instructions

- In the case of buildings and high-rise structures which are very exposed to wind, the maximum dimensions should be reduced depending on the situation.
- Tested up to more than 100 km/h (25 m/s wind speed) not free-standing.
- The solar shading systems should be retracted if it is windy.
- The systems must not be operated if there is a risk of ice.
- The systems must be accessible for maintenance work.
- Observe the VSR data sheets.



Your partner

Subject to change without prior notice