

**Awnings from Griesser.
G 4000**



max. 7000 mm, single awning
max. 12000 mm, connected systems

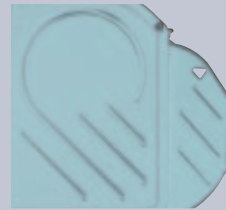


max. 4000 mm

Cassette awning



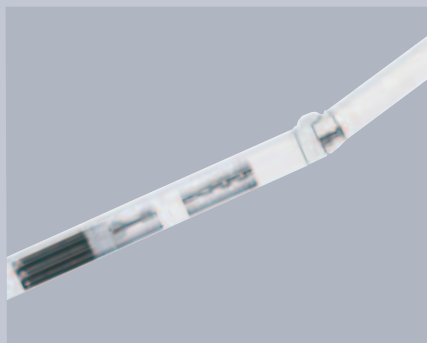
The G 4000 awning system – attractive and strong. A consistent modular concept provides a multitude of possible applications and designs, from the all-round closed cassette awning with perfect protection from the wind and weather to the open basic design with the visible benefits of the unique pivoted joint technology. G 4000 can be adapted to every structural situation. No matter whether you're fitting it on a wall, ceiling or in a niche – we have the right console for you.



Convincing technology

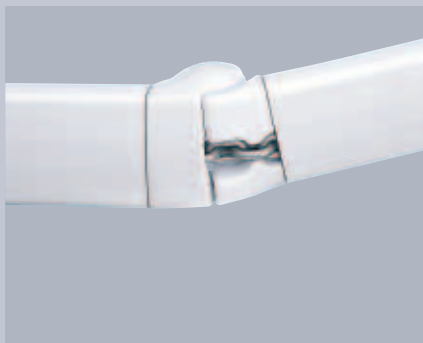
Arm parts

Drop-forged arm parts ensure longevity and smooth operation.



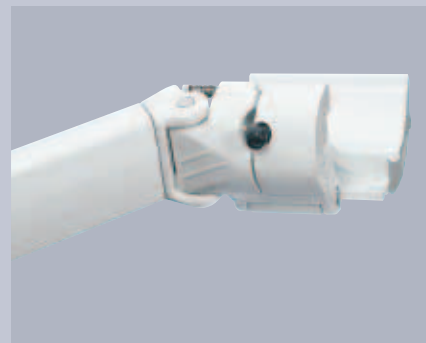
Round steel link chain

The round steel link chain in the middle hinge ensures that the arm and cloth are perfectly tensioned.



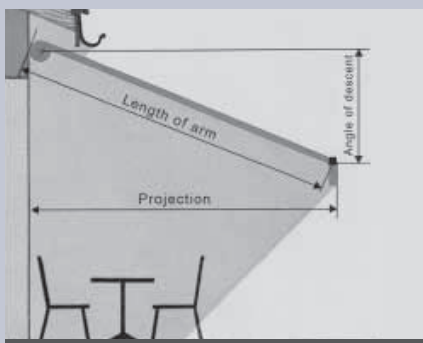
Wind safety locking mechanism

Prevents the awning from being caught and blown up by winds.



Incline adjustment

The incline can be easily adjusted when the tilting slide is open. The cassette itself is securely locked.



Limit dimensions and number of brackets

Width in mm	Number of arms	Length of arm in mm					
		1500 (min. width 1850)	2000 (min. width 2350)	2500 (min. width 2850)	3000 (min. width 3350)	3500 (min. width 3850)	4000 (min. width 4570)
1850 - 2000	2	2					
2001 - 2500	2	2	2				
2501 - 3000	2	2	2	2	2		
3001 - 3500	2	2	2	2	2	2	
3501 - 4000	2	2	2	2	2	3	3
4001 - 4500	2	3	3	3	3	3	3
4501 - 5000	2	3	3	3	3	5	5
5001 - 5500	2	3	3	3	3	5	5
5501 - 6000	2	3	3	3	3	5	5
6001 - 6500	2	3	3	3	3	5	5
6501 - 7000	3	4	4	4	4	7	7 ²
Connected systems		(min. width on request)					
6001 - 7000	4	4	4	4			
7001 - 8000	4	4	4	4	4	6	
8001 - 9000	4	6	6	6	6	6	
9001 - 10000	4	6	6	6	6	10	10
10001 - 11000	4	6	6	6	6	10	10
10001 - 12000	4	6	6	6	6	10	10

Key

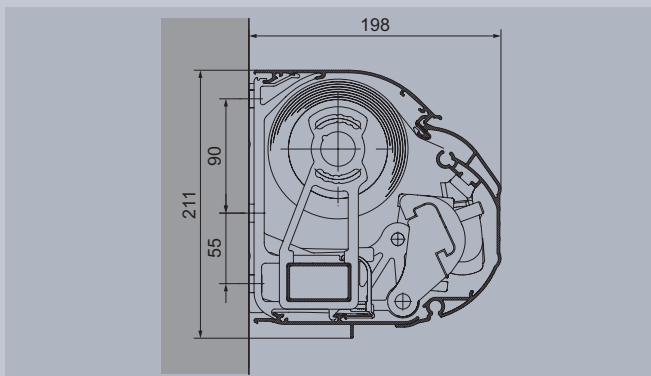
² = Min. width 6890 mm

G 4000-Niche: Max. width 6000 mm, max. length of arm 3500 mm. Two-part systems not available.

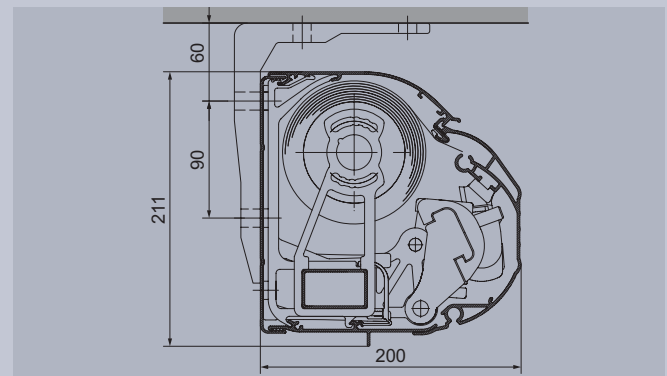
The technology used means that the effective material width may deviate from the awning width depending on the drive used.

The number of brackets is with reference to a pressure-resistant subsurface such as C20/25 concrete or metal with at least the same pull-out strength. If the subsurface is poor, it must be upgraded to this pull-out strength or more or other brackets must be used.

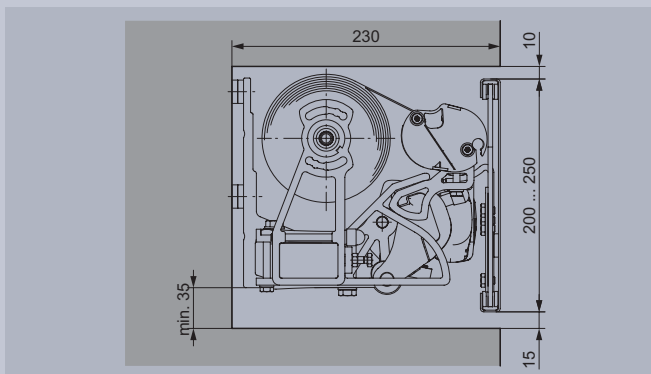
Installation



G 4000-I



G 4000-K

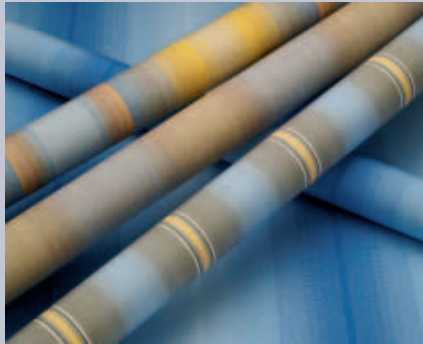


G 4000-Niche

Materials and solar shading factor

Collection Moments

The Griesser acrylic fabrics fit in perfectly with the latest color trends and are divided into eight color worlds. Customers will always find the right awning fabric to suit their every whim. All materials in Collection Moments, developed in collaboration with the traditional Italian cloth manufacturer Parà, use the latest nanotechnology to produce dirt- and water-repellent characteristics. As well as creating a good mood, the sun also however emits dangerous UV rays. Griesser only uses materials which provide an optimum protection of UPF 30+.

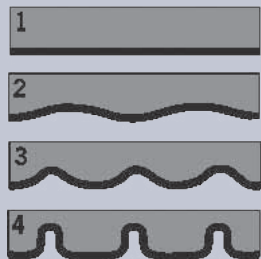


Four valance designs to choose from.

The valance finishes off the awning and lends it an air of individual charm.

Valance bindings

Griesser also provides bindings in a wide range of colors to suit every fabric design.



The automatic choice.

With the radio-controlled Griesser Remoto® hand-held transmitter, you can operate your awning from the comfort of your deck chair. There's a good reason why quality comes automatically to Griesser blinds and rolling shutters.



Design description

Awning system

Awning with pivoted joint arm and with steel chain in the middle hinge. Pivoted joint with integrated wind safety locking mechanism and incline adjustment (continuously from 5 to 40 degrees). All hinged parts like upper arm elements, middle hinges and front bar supports are made from drop-forged aluminum with powder coating in facade quality. The thrust supports, fabric spindle bearings, wall and ceiling consoles, roof and rafter supports are made from extruded aluminum and powder-coated in facade quality. Supporting tube made from galvanized and powder-coated steel. Axle made from galvanized sheet steel.

Options (for an additional charge)

Valance in 4 standard designs.

Colors

Basic

Aluminum (RAL 9006/VSR 140) or white (RAL 9016).

GriColors (for an additional charge)

The GriColors range includes 100 color shades in four collections, Glass & Stone, Sun & Fire, Water & Moss and Earth & Wood – from cool white and sunny red to natural blue and earthy brown.

Fabric collection

Collection Moments

Fabric made from 100% acrylic fibers, according to collection available.

Planning tips and operating instructions

- In the case of buildings and high-rise structures which are exposed to high wind, the maximum dimensions should be reduced depending on the situation.
- The solar shading systems should be retracted if it is windy.
- The systems must not be operated if there is a risk of ice.
- The systems must be accessible for maintenance work.
- Observe the VSR data sheets or information in EN 13561 wind classes.

For more information about our services and products, go to www.griessergroup.com.



Your partner

Subject to change without prior notice