

**Awnings from Griesser.  
Cassita®**



max. 5500 mm

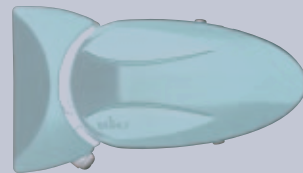


max. 3000 mm

## Cassette awning



Its modern and stylish design lends this awning an air of charm and elegance. The particularly flat, oval cassette, combined with the two-point mounting bracket, provides a pleasant degree of lightness. With a maximum width of 5,5 m and a maximum projection of 3 m, Cassita® is specially designed for small and medium-sized terraces. The fabric and technical components are safely housed in the cassette – wonderfully protected from anything the weather may have in store, preserving your awning for years to come.



## Option

### *Cassita® Lux*

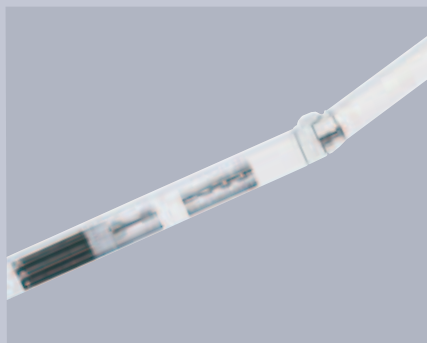
Cassita® is available as an option with integrated lighting in the light strip. The economical low volt technology provides an all-year-round lighting system. Because the spotlights can be angled individually, they can create a pleasant atmosphere when viewed from both the outside and indoors.



## Convincing technology

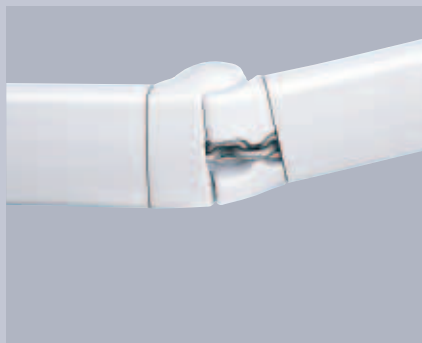
### Arm parts

Drop-forged arm parts ensure longevity and smooth operation.



### Round steel link chain

The round steel link chain in the middle hinge ensures that the arm and fabric are perfectly tensioned.



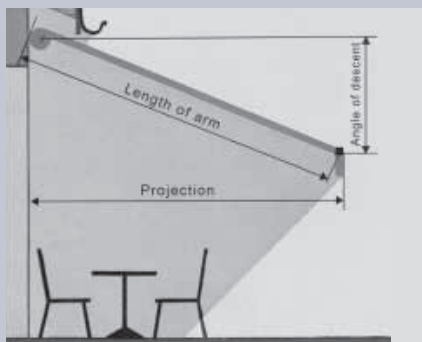
### Rain channel

Rainwater runs through the rain channel in the front bar to the sides in a controlled manner.



### Incline adjustment

The incline can be continuously adjusted (5 to 45 degrees) using an opening below the cover plate.



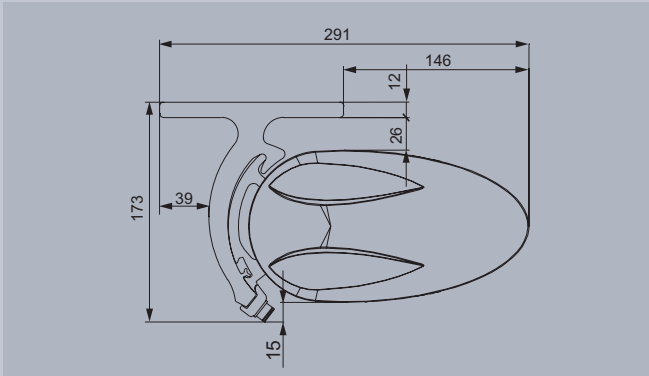
## Cassita®/Cassita® Lux: Limit dimensions and number of brackets

Width in mm	Number of Arms	Number of Lamps	Number of Transformers	Length of arm in mm			
				1500 (min. width 1730)	2000 (min. width 2230)	2500 (min. width 2730)	3000 (min. width 3230)
Single awning							
1730 - 2000	2	3	1	2			
2001 - 2500	2	3	1	2	2		
2501 - 3000	2	4	2	2	2	2	
3001 - 3500	2	4	2	2	2	2	2
3501 - 4500	2	5	2	2	2	2	2
4501 - 5500	2	6	2	2	2	2	2

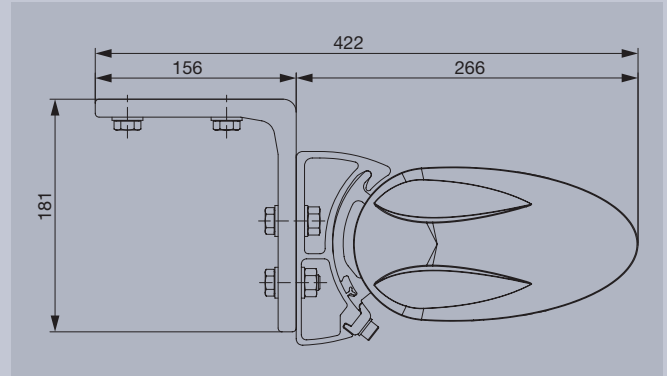
The technology used means that the effective material width may deviate from the awning width depending on the drive used.

The number of brackets is with reference to a pressure-resistant subsurface such as C20/25 concrete or metal with at least the same pull-out strength. If the subsurface is poor, it must be upgraded to this pull-out strength or more or other brackets must be used.

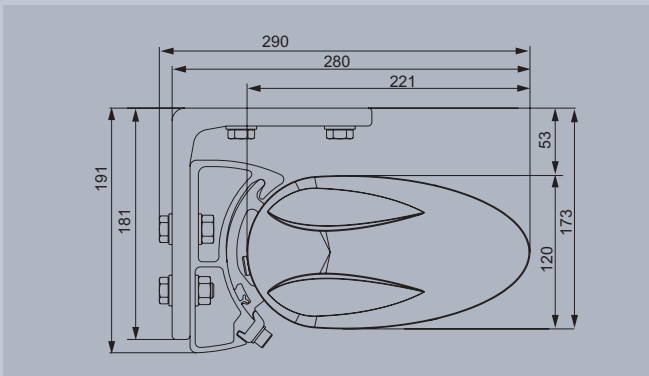
## Installation



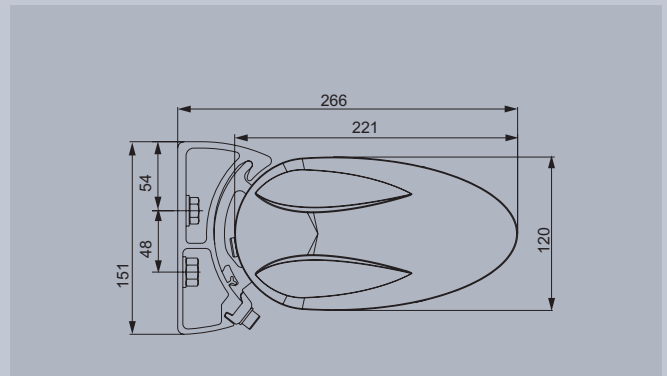
Ceiling installation



Ceiling installation, bracket backwards



Ceiling installation, bracket forwards



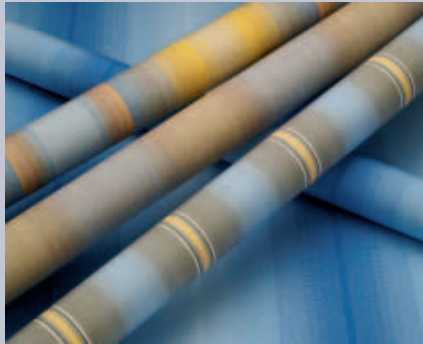
Wall installation



**Materials and solar shading factor**

*Collection Moments*

The Griesser acrylic fabrics fit in perfectly with the latest color trends and are divided into eight color worlds. Customers will always find the right awning fabric to suit their every whim. All materials in Collection Moments, developed in collaboration with the traditional Italian cloth manufacturer Parà, use the latest nanotechnology to produce dirt- and water-repellent characteristics. As well as creating a good mood, the sun also however emits dangerous UV rays. Griesser only uses materials which provide an optimum protection of UPF 30+. Quality comes automatically.



**The automatic choice.**

With the radio-controlled Griesser Remoto® hand-held transmitter, you can operate your awning from the comfort of your deck chair. There's a good reason why quality comes automatically to Griesser blinds and rolling shutters.



## Design description

### *Awning system*

Flat cassette awning with folding arm technology, round steel link chain in the middle hinge and incline adjustment (continuously from 5 to 45 degrees). Cassette profile and front bar made from extruded aluminum. Folding parts made from drop-forged aluminum. Axle made from galvanized sheet steel, awning fabric made from acrylic fibers. Valance not available.

### *Option (for an additional charge)*

- Cassita® Lux with integrated lighting in the light strip.

### *Solar solution*

Also available with a solar drive.

## Colors

### *Basic*

Aluminum (RAL 9006/VSR 140) or white (RAL 9016).

### *GriColors (for an additional charge)*

The GriColors range includes 100 color shades in four collections, Glass & Stone, Sun & Fire, Water & Moss and Earth & Wood – from cool white and sunny red to natural blue and earthy brown.

## Fabric collection

### *Collection Moments*

Fabrics are 100% acrylic, spinneret dyed, with a high degree of light fastness and durability, nano-based impregnation making the fabric dirt-repellent and water-repellent, tested for harmful substances in accordance with Öko-Tex standard 100. Web width 1200 mm. Weight of material approx. 300 g/m<sup>2</sup>.

## Planning tips and operating instructions

- In the case of buildings and high-rise structures which are exposed to high wind, the maximum dimensions should be reduced depending on the situation.
- The solar shading systems should be retracted if it is windy.
- The systems must not be operated if there is a risk of ice.
- The systems must be accessible for maintenance work.
- Observe the VSR data sheets or information in EN 13561 wind classes.

For more information about our services and products, go to [www.griessergroup.com](http://www.griessergroup.com).



## Your partner

Subject to change without prior notice